

**ROMANIAN ACADEMY OF TECHNICAL SCIENCES
TRANSILVANIA UNIVERSITY OF BRASOV
ROMANIAN SOCIETY OF THEORETICAL AND APPLIED
MECHANICS**

The 6th International Conference

Computational Mechanics
and
Virtual Engineering

„COMEC 2015”

15- 16 October 2015, Brașov, Romania

Contents COMEC 2015

1.	Ionel Starețu, CLASS OF REDUNDANT SERIAL ROBOTS WITH 7 UP TO 12 AXES- DEFINITION, STRUCTURAL SYNTHESIS AND WORKSPACE	1
2.	Horea Sandi, I.S. Borcia, AN APPROACH TO SOME NON- CLASSICAL EIGENVALUE PROBLEMS OF STRUCTURAL DYNAMICS.....	7
3.	Constantin D. Stănescu, Gabi Roșca- Fârtat, Constantin Popescu, CONSIDERATIONS REGARDING THE HORIZONTAL FUEL CHANNELS IN THE CANDU 6 NUCLEAR REACTOR. PART 1- PRESENTATION OF THE FUEL CHANNEL	13
4.	Constantin D. Stănescu, Gabi Roșca- Fârtat, Constantin Popescu, CONSIDERATIONS REGARDING THE HORIZONTAL FUEL CHANNELS IN THE CANDU 6 NUCLEAR REACTOR. PART 2- REFERENCE PLANS OF THE FUEL CHANNEL.....	19
5.	Constantin D. Stănescu, Gabi Roșca- Fârtat, Constantin Popescu, CONSIDERATIONS REGARDING THE HORIZONTAL FUEL CHANNELS IN THE CANDU 6 NUCLEAR REACTOR. PART 3- MAIN STEPS OF THE FUEL CHANNEL ASSEMBLY.....	24
6.	Constantin Popescu, Gabi Roșca- Fârtat, Constantin D. Stănescu, CONTRIBUTIONS FOR THE DECOMMISSIONING OF THE HORIZONTAL FUEL CHANNELS IN THE CANDU 6 NUCLEAR REACTOR. PART 1- MAIN STEPS OF THE FUEL CHANNEL DECOMMISSIONING.....	33
7.	Gabi Roșca- Fârtat, Constantin Popescu, Constantin D. Stănescu, CONTRIBUTIONS FOR THE DECOMMISSIONING OF THE HORIZONTAL FUEL CHANNELS IN THE CANDU 6 NUCLEAR REACTOR. PART 2- PRESENTATION OF THE DECOMMISSIONING DEVICE.....	39
8.	Gabi Roșca- Fârtat, Constantin Popescu, Constantin D. Stănescu, CONTRIBUTIONS FOR THE DECOMMISSIONING OF THE HORIZONTAL FUEL CHANNELS IN THE CANDU 6 NUCLEAR REACTOR. PART 3- FUNCTIONING OF THE DECOMMISSIONING DEVICE.....	44
9.	Mihaela A. Ghelmez, Alexandru Mihai Rosu, Alireza Khastan, MODELING BEHAVIOR OF BIOLOGICAL MEMBRANE COMPONENTS.....	52
10.	Camelia Boboc (Enache), Polixenia Iuliana Simion (Dorcea), STRUCTURAL EXAMINATIONS AND MECHANICAL TESTS TO CHARACTERIZE THE METALLURGICAL INTERFACE BASE MATERIAL AND FILLER THERMAL SPRAYED SAMPLES.....	58
11.	Karim Shalaby, Simona Lache, Florin Radu, THE ANALYSIS OF AN ANALOGOUS HUYGENS PENDULUM CONNECTED WITH I.T.C. USING FLEXIBLE MULTIBODY DYNAMIC SIMULATIONS.....	65

12.	Petre Stan, Marinică Stan, RANDOM VIBRATION OF DUFFING OSCILLATOR FOR N CORRELATION FUNCTIONS.....	72
13.	Petre Stan, Marinică Stan, RANDOM VIBRATION OF HOUDAILLE SHOCK ABSORBER.....	77
14.	Petre Stan, Marinică Stan, SOLUTION OF PENDULUM EQUATION USING THE RITZ- GALERKIN METHOD.....	81
15.	Petre Stan, Marinică Stan, NONLINEAR VIBRATIONS IN AUTOMOTIVE SUSPENSIONS.....	85
16.	Melania Tămaș, Constantin D. Stănescu, Doina Ene, BENDING BEHAVIOR ASSESMENT OF NdFeB MAGNET BASED SAMPLES.....	91
17.	Melania Tămaș, Constantin D. Stănescu, Doina Ene, MECHANICAL PROCESSING BY PLASTIC DEFORMATION OF NdFeB MAGNET BASED SAMPLES.....	96
18.	Melania Tămaș, Constantin D. Stănescu, Doina Ene, MECHANICAL PROCESSING BY TURNING CUTTING COMPOSITE MATERIALS DESIGNED FOR MAGNETS, BASED ON NdFeB.....	101
19.	Aurel Fratu, IMITATION-BASED ROBOT PROGRAMMING METHOD FOR PREDICTING THE MOTION	106
20.	Aurel Fratu, NEW STRATEGY OF THE RECIPROCAL COLLISION AVOIDANCE OF COLLABORATIVE ROBOTS.....	112
21.	Mariana Pătrașcu (Antonescu), Constantin D. Stănescu, Doina Tărăbuță (Ene), CONTRIBUTIONSON TECHNOLOGICAL PROCESSES CLEANINGOIL PIPELINES.....	118
22.	Elisabeta Mihaela Ciortea, Mihaela Aldea, ANALYSIS OF A COMPLEX MANUFACTURING SYSTEM MODELED WITH PETRI NETS	124
23.	Gabriel D. Dima, Werner Braun, A NEW APPROACH REGARDING THE ENGINEERING INTERNSHIP.....	130
24.	Gabriel D. Dima, Marius Diaconu, Ion Balcu, Ionuț Teșulă, THE 3D LIGHTWEIGHT OPTIMIZATION FOR HIGH LOADED PARTS– CASE STUDY.....	134
25.	Constantin Dochîța, Constantin D. Stănescu, REFLECTIONS CONCERNING THE COPPER CORROSION IN LIQUID ENVIRONMENTS.....	140
26.	Ioan Enescu, A MATHEMATICAL FORMULATION TO ROBOTICS MANIPULATION. FINITE ROTATION IN 3D.....	145
27.	Ramona- Elena Dumitrașcu, Loredana Anne- Marie Bădescu, STRUCTURES WITHOUT ADHESIVE WITH POTENTIAL APPLICATIONS IN FURNITURE DESIGN OBTAINED THROUGH LIGNIN ACTIVATION.....	151
28.	Bogdan Dumitru, Mihaela A. Ghelmez, Irina Craita, ASPECTS OF MODELING WORK CONDITIONS INFLUENCE ON THE PERFORMANCE OF EMPLOYEES.....	156
29.	Irina Rădulescu, Florica Costin, Alexandru Valentin Rădulescu, VIRTUAL ENGINEERING ECO- INNOVATION LIBRARY FOR THE MANAGEMENT ISSUES OF THE WASTE OF ELECTRICAL AND ELECTRONIC EQUIPMENT	162

30.	Mircea Mihalcica, ON LIGHTING LIMITATIONS OF MARKER MOTION ANALYSIS USING COMMERCIAL SOFTWARE APPLICATIONS	168
31.	Marius- Gabriel Pătrășcan, Virgilius- Justinian Rădulescu, Viorel Ilie, Gheorghe Frățilă, NEW ASPECTS REGARDING CONTROL AND OPERATION OF THE AUTOCAR ABS SYSTEM.....	171
32.	Daniela Zârnoianu, Simion Popescu, Carmen Brăcăcescu, STUDY ON THE SEPARATING PROCESSES OF IMPURITIES FROM WASTE WATER BY USING TANGENTIAL FILTERS.....	177
33.	Daniela Zârnoianu, Simion Popescu, Carmen Brăcăcescu, THEORETICAL AND EXPERIMENTAL RESEARCH ON THE SEPARATION PROCESS OF IMPURITIES FROM WASTE WATER THROUGH DECANTATION.....	183
34.	Ionel- Alexandru Gal, Nicolae Pop, Victor Vladareanu, Mihaiela Iliescu, Daniel Mitroi, Luige Vladareanu, APPLICATIONS OF THE VIRTUAL INTELLIGENT PORTABLE VIPRO PLATFORM FOR 3D CONTACT PROBLEMS WITH FRICTION IN THE HUMANOID ROBOTS CONTROL	191
35.	Horațiu Teodorescu- Draghicescu, Sorin Vlase, Dana Luca Motoc, Mircea Mihalcică, CTE'S POLYNOMIAL CURVES OF A THIN COMPOSITE SANDWICH.....	197
36.	Constantin D. Stanescu, Daniel Vane, Mădălina Scutelnicu (Vane), Elena Scutelnicu (Păun), RESEARCH ON FASTENING SYSTEM DAMAGE TO THE DRUM ON LG WASHING MACHINE.....	202
37.	Polixenia Iuliana Simion (Dorcea), Camelia Boboc, Nicolae Joni, Gheorghe Solomon, Carmen Alexandra Turcu, WELDING OF ALUMINUM ALLOY WHEELHOUSE.....	205
38.	Gabriel Kelemen, THE UNIVERSALITY OF THE SPHERE- VORTEX PRINCIPLE.....	211
39.	Dumitru Nicoara, ON THE NUMERICAL SOLUTION OF NON- LINEAR ROTOR	217
40.	Elena Scutelnicu (Păun), Constantin D. Stanescu, Daniel Vane, CONSIDERATION WASTE WATER FROM OIL MILLS IN ROMANIAN...	221
41.	Luciana Majercsik, Ion Simulescu, TIME-FREQUENCY ANALYSIS OF VRANCEA FAULT EARTHQUAKES.....	227
42.	Daniela Șova, Olivia A. Florea, APPLICATION OF NON- EQUILIBRIUM THERMODYNAMICS TO THE ESTIMATION OF PHENOMENOLOGICAL TRANSFER COEFFICIENTS IN CONVECTIVE WOOD DRYING.....	234
43.	Mariana D. Stanciu, Ioan Curtu, Teodora Sturzu, Horatiu Teodorescu- Draghicescu, THE DETERMINATION OF THE ELASTIC CHARACTERISTICS OF UNIDIRECTIONAL PREPREG CARBON FIBER- REINFORCED EPOXY RESIN COMPOSITES.....	240
44.	Ioan Curtu, Mariana D. Stanciu, Rareș Țiței, Teodora Sturzu, THE DESIGN OF A TEST BENCH FOR WIND BLADES BENDING WITH SMALL DIMENSION	246

45.	Nicolae–Doru Stănescu, DYNAMICS OF A SYSTEM OF RIGID BODIES WITH GENERAL CONSTRAINTS BY A MULTIBODY APPROACH.....	253
46.	Nicolae–Doru Stănescu, DYNAMICS OF THE FOUR- BAR MECHANISMS WITH RRR OR RTR DYADS BY A MULTIBODY APPROACH.....	263
47.	K. Jármay, J. Farkas, DOUBLE MAIN GIRDER DESIGN OF AN OVERHEAD TRAVELLING CRANE FOR MINIMUM COST.....	269
48.	Ștefan Dimitriu, THE INFLUENCE OF THE KNOT TYPE IN THE HYBRID MODEL LINE- FISHING HOOK.....	275
49.	Costina- Mihaela Gheorghe, Simona Lache, THE BEHAVIOUR ANALYSIS OF COMPOSITE MATERIAL MAT-450 TO THE BENDING STRAIN.....	279
50.	Gheorghe Gîlcă, Nicu- George Bîzdoacă, DETECTING HUMAN EMOTIONS WITH AN ADAPTIVE NEURO- FUZZY INFERENCE SYSTEM	285
51.	Cornel Biț, MECHANICAL INTERACTIONS BETWEEN FATIGUE CRACKS AND MICROSTRUCTURAL CONSTITUENTS.....	291
52.	Cornel Biț, A NEW ANALYTICAL EXPRESSION FOR THE STRESS INTENSITY FACTOR.....	295
53.	Traian Eugen Bolfa, SPECIAL PROBLEMS IN THE CASE OF HIGH SPEED BEARINGS.....	299
54.	Florentina Rotaru, Ionel Chirică, Elena F. Beznea, IMPACT RATE EVALUATION OF COMPOSITE SANDWICH PLATES USED IN SHIPBUILDING.....	303
55.	Dorin Popescu, Sorin Manoiu- Olaru, Livia- Carmen Popescu, Cosmin Berceanu, Anca Petrisor, MECHANICAL AND ACTUATION SOLUTIONS FOR A ROBOTIC GLOVE.....	309
56.	Dorin Popescu, Viorel Stoian, Anca Petrisor, Razvan Popescu, VIRTUAL ENGINEERING FOR MECHATRONICS LABORATORY.....	316
57.	Ștefan Dimitriu, A POSSIBLE SOLUTION TO MINIMIZE ALIGNMENT ERROR ON TRACTION TESTING MACHINE	323
58.	Camelia Cerbu, COMPUTER AIDED DESIGN IN CASE OF THE LAMINATED COMPOSITE MATERIALS.....	325
59.	Sorin Brazdis, Mircea Modiga, Lucian V. Anghel, Alexandru Cobzaru, STRUCTURAL FATIGUE ASSESSMENT OF F(P)SO UNITS CONVERTED FROM AN OIL TANKERS.....	331
60.	Ileana Manciu, Lucia Dumitrescu, COMPOZITES ADHESIVES BASED ON UREA- FORMALDEHYDE RESINS AND LIGNOCELLULOSIC WASTE.....	339
61.	Ligia Munteanu, Dan Dumitriu, Veturia Chiroiu, Cornel Brisan, Mircea Bara, Doina Marin, ON THE TACTILE SENSING BY USING SMART MATERIALS.....	344
62.	Mihaela Radu, A MODIFIED APPROACH OF SQUEEZE EFFECTS IN POROUS MEDIA IMBIBED WITH NEWTONIAN FLUIDS.....	349

63.	Georgiana Moiceanu, Gheorghe Voicu, Mirela Dincă, Gigel Paraschiv, Mihai Chitoiu, ASPECTS REGARDING SHEARING CUTTING BLADES FEATURES OF ENERGETIC PLANTS STRAINS FOR LABORATORY TESTING.....	355
64.	Mihaela Baritz, COMPARATIVE ANALYSIS OF WALKING TYPOLOGIES IN RELATION TO LOWER LIMB JOINTS LOCK.....	361
65.	Mihaela Baritz, Daniela Barbu, ANALYSIS BY VIDEO METHODS OF NYSTAGMUS IN SIMULATED AND STIMULATED MOVEMENTS.....	367
66.	Ramona- Monica Stoica, Marius Simionescu, Virgiliu- Justinian Rădulescu, Cătălin Trocan, Viorel Mardari, Ion Copae, RESEARCHES REGARDING AUTOMOTIVE ENGINE FUNCTIONING.....	371
67.	Ramona-Monica Stoica, Irinel Dinu, Virgiliu- Justinian Rădulescu, Cătălin Trocan, Viorel Mardari, Ion Copae, THE STUDY OF AUTOMOTIVE DYNAMICSCAUGHT UP IN CAR CRASHES.....	377
68.	Mihai Adrian Rusu, Daniela Ioniță, Marcelin Benchea, Vlad Cârlescu, Dumitru Olaru, ANALYTICAL MODEL FOR FRICTION FORCE BETWEEN A STEEL ROLLER AND A PLANE POLYMER SAMPLE IN SLIDING MOTION.....	383
69.	Cornel Drugă, POSTERIOR CERVICAL PLATES- DESIGNED AND FABRICATION.....	389
70.	Cornel Drugă, A. Lupu, SIMPLE CIRCUIT FOR MONITORING BRAIN ACTIVITY.....	395
71.	Ionel Șerban, COMPARISON STUDY USING IMAGISTICAL TOOLS BEFORE AND AFTER SURGICAL INTERVENTION.....	401
72.	Ioan Curta, Ileana- Constanta Roșca, Z. Marosy, A.C. Micu, I. Mohirta, A STATISTICALLY RELEVANT EXPERIMENT CONCERNING THE COLLOIDAL SILVER INFLUENCE ON HUMAN BODY.....	405
73.	Mihaela Radu, T. Cicone, M.D. Pascovici, Petrica Turtoi, Marcel Istrate, A COMPARATIVE EXPERIMENTAL STUDY OF IMPACT DAMPING USING HIGHLY COMPRESSIBLE POROUS MATERIALS IMBIBED WITH FLUIDS	411
74.	Ionel Șerban, GAIT AND BALANCE ANALYSIS IN PEOPLE WITH MENISCAL TEAR	417
75.	Radu Țârulescu, Stelian Țârulescu, MEASUREMENT METHODS FOR THE PATH DEVIATION OF MOBILE ROBOTS	421
76.	Ioana Comanescu, Gheorghe N. Radu, ASPECTS CONCERNING THE EIGENVALUES DEPENDENCE ON THE DISKS THERMAL REGIME AND ROTATION.....	427
77.	Ioana Comanescu, Gheorghe N. Radu, THE INFLUENCE OF TEMPERATURE'S CHANGE ALONG THE RADIUS ON THE MEMBRANE STRESSES FIELD AT ROTATING DISKS.....	431

78.	Liliana D. Căiniceanu, Constantin D. Stănescu, EXPERIMENTAL RESEARCH OF THE PARAMETERS OF HIGH POWER AUDIO DEVICES EQUIPPED WITH NdFeB PERMANENT MAGNETS IN THE ANECHOIC CHAMBER.....	437
79.	Calin Itu, Maria Luminita Scutaru, RESEARCH REGARDING DAMAGE DETECTION IN THE INERTIAL DAMPERS OF THE ELECTRIC VEHICLE.....	441
80.	Luciana Cristea, Elena Anca Stanciu, Diana Cotoros, Mihaela Baritz, ANALYSIS, RESEARCHES AND SOLUTIONS CONCERNING OF DENTAL PROSTHESIS MATERIALS	449
81.	Elena Anca Stanciu, CONSTRUCTIVE SOLUTION, USING FINITE ELEMENT METHOD FOR GLASS CERAMIC TOOTH.....	453
82.	Al. Bejinaru Mihoc, A.M. Botez, L.G. Mitu, REGULATIONS IN THE FIELD OF USING MEDICAL DEVICES. OVERVIEW	457
83.	Sebastian Radu, Horia Abăitancei, Gheorghe Alexandru Radu, Marton Iakab-Peter, PRESSURE WAVE GENERATOR FOR DEVELOPMENT RESONANCE IN CLOSED PIPE USED FOR HYDRAULIC-ALTERNATING TRANSMISSION.....	463
84.	Sebastian Radu, Horia' Abăitancei, Gheorghe Alexandru Radu, Marton Iakab-Peter, THE ANALIZE OF THE INFLUENCE OF THE CONSTRUCTIVE AND FUNCTIONAL FACTORS ON THE PERFORMANCES OF RESONATORS DESIGNED FOR HIDRAULIC HYBRID AUTOVEHICLES	469
85.	Octavian Pop, Sorin Vlase, Ioan Goia, Mihaela Violeta Munteanu, ENERGY RELEASE RATE EVALUATION IN SANDWICH COMPOSITE STRUCTURES BY USING THE DIC.....	
86.	Polidor Bratu, COMPORTAREA DINAMICĂ A UNUI SISTM COMPOZIT DE IZOLARE A BAZEI CA MODEL REOLOGIC VOIGT- KELVIN-HOOKE, LA ACȚIUNI SEISMICE.....	
87.	Carmen Debeleac, Silviu Nastac, THEORETICAL AND COMPUTATIONAL APPROACHES REGARDING THE DRAGLINE CABLES DYNAMICS.....	
88.	Silviu Nastac, Carmen Debeleac, ON NONLINEARITY CHARACTERIZATION OF THE ELASTOMERIC VIBRATION ISOLATORS RELATED ON COMPUTATIONAL APPROACHES.....	
89.	Diana Anghelache, Silviu Nastac, ON SOUND TRANSMISSION LOSS OF MULTILAYER COMPOSITES WITH HIGH DAMPING KERNEL.....	
90.	Gigel Capatana, COMPUTATIONAL ASSESSMENTS REGARDING THE OPERATIONAL ULTIMATE STATE OF THE DYNAMIC COMPACTION PROCESS.....	
91.	Aurora Potirniche, PROBLEMS RELATED ON STRESS- STRAIN NONLINEAR ANALYSIS OF ELASTOMERIC KERNEL WITHIN THE PASSIVE VIBRATION ISOLATORS.....	
92.	Andrei Vasilescu, THE ANALYSIS OF CYCLICALLY SYMMETRIC STRUCTURES- HISTORICAL REMARKS.....	

93. Iuliu Negrean, Kalman Kacso, NEW FORMULATIONS IN ANALYTICAL DYNAMICS OF MULTIBODY SYSTEMS.....
94. Mihai Ulea, B. Balasz, TEST DEVICE FOR DERIVATIVE OUT OF PLANE DISPLACEMENTS MEASUREMENT OF A CIRCULAR PLATE BY MOIRE LIGTENBERG METHOD.....
95. Mihai Ulea, ON PLASTIC JOINTS ENERGY IN A BUS SECTION ROLL OVER TEST.....
96. Mihai Ulea, C.P. Labont, ABOUT RIGIDITY IN TORSIONAL BAR.....
97. Badiu, C.E., Lateş, M., Brătucu, Gh., EXPERIMENTAL RESEARCH ON GREENHOUSE VEGETABLES AND FLOWERS DEMANDS PLACED ON ROOFS OF BUILDINGS.....
98. Badiu, C.E., Lateş, M., Brătucu, Gh., FINITE ELEMENT SIMULATION OF SPECIFIC REQUESTS GREENHOUSES OF VEGETABLES AND FLOWERS PLACED ON ROOFTOPS.....
99. Blaj-Brezeanu, S., Brătucu, Gh., LEGISLATIVE CURRENT USE OF RENEWABLE ENERGY AND INVOLVEMENT HOTEL UNITS ISOLATED IN THIS PROBLEM.....
100. Blaj-Brezeanu, S., RESEARCH ON ENERGY DEMAND IN AN ISOLATED HOTEL UNIT AND ITS WAYS OF PROVIDING RENEWABLE
101. Bodolan, C., Costiuc, L., Brătucu, Gh., RESEARCH ON DESIGN FACTORS THAT INFLUENCE ENERGY CONSUMPTION FOR AIR-CONDITIONING IN GREENHOUSES FOR VEGETABLES AND FLOWERS.....
102. Bodolan, C., Costiuc, L., RESEARCH ON PHOTOMETRIC PROPERTIES AND TRANSPARENT PHOTSENSITIVE MATERIALS USED IN THE CONSTRUCTION OF GREENHOUSES.....
103. Brătucu, Gh., Paunescu, C.G., Paunescu D.D., Badiu E.C., MATHEMATICAL MODELING AND SIMULATION AUTOMATICALLY ADJUST THE HUMIDITY AND AIRFLOW IN A GREENHOUSE FOR VEGETABLES AND FLOWERS.....
104. Brătucu, Gh., Paunescu D.D., MATHEMATICAL MODELING OF COUPLINGS IN TRACTOR- AGRICULTURAL MACHINE TRANSMISSION SYSTEM OPERATED BY THE PTO.....
105. Hodârnaş, M., EXPERIMENTAL ANALYSIS OF VERTICAL REACTION OF HYDRAULIC TIRES.....
106. Hodârnaş, M., RESEARCH ON PRESSURE CHOICE OF AGRICULTURAL AGGREGATE TIRE DEPENDING ON SOIL MOISTURE.....
107. Lupu M.I., Canja, C.M., Pădureanu, V., RESEARCH REGARDING THE GRINDING PROCESS BY COMPRESSION.....
108. Lupu M.I., Pădureanu, V., Canja, C.M., RESEARCH ON AGING THE WINE DISTILLAT.....
109. Canja C.M., Măzărel A., Lupu M.I., Pădureanu, V, Enache, D., FOOD FALSIFICATION- A PROBLEM OF OUR TIME.....

110. Canja C.M., Lupu M.I., Măzărel A., Pădureanu, V, Enache, D., FOOD LABELING AND ITS ROLE IN ENSURING CONSUMER PROTECTION...



DOUBLE MAIN GIRDER DESIGN OF AN OVERHEAD TRAVELLING CRANE FOR MINIMUM COST

K. Jármai¹, J. Farkas²

¹ University of Miskolc, HUNGARY, jarmai@uni-miskolc.hu

² University of Miskolc, HUNGARY, altfar@uni-miskolc.hu

Abstract: A crane structure of two doubly symmetric welded box beams is designed for an overhead travelling crane for minimum cost. The following design constraints are considered: local buckling of web and flange plates, fatigue of the butt K weld under rail and fatigue of fillet welds joining the transverse diaphragms to the box beams. The rails are placed over the inner webs of box beams. To increase the fatigue strength of the last mentioned welds, an efficient post welding treatment (PWT) is considered. For the formulation of constraints the relatively new standard for cranes EN 13001-3-1 [1] is used. The cost function consists of cost of material, assembly, welding and PWT. PWT is economic, since it is used only for diaphragms near the span centre of box beams, where the bending stresses are high. The optimization is performed by systematic search using a MathCAD program.

Keywords: crane girder, fatigue, post welding treatment, optimum design

1. INTRODUCTION

The main girder of overhead travelling cranes can be designed as a single or double box beam. The rail can be placed in the middle of the upper flange or over the inner web of the box beams. In our case we designed a double box beam with rails over the inner webs (Fig. 1). The research of post-welding treatments (PWT) does not give any data for these welds. PWT can cause a significant increase of fatigue strength for welds joining the transverse diaphragms to the upper flange, so we use these data. Our research shows that PWT can result in significant cost savings using them in welds joining the transverse diaphragms to the box or I-beams (Jármai et al. [2]).

2. DATA OF THE TREATED CRANE

The British Standard for cranes BS 2573-1 [3] is valid at present also. This BS gives characteristic parameters for crane groups. We select a workshop crane with a dynamic factor of $\gamma_d = 1.3$, the governing number of cycles is $N = 4 \times 10^6$, the coefficient of spectrum is according to EN 13001-3-1 [1] $s_3 = 2$. The safety factor for fatigue is $\gamma_f = 1.25$.

Yield stress $f_y = 355$ MPa, according to EN 13001-3-1 the maximum design stress for plate thicknesses $t < 16$ mm is 323 MPa, for $16 < t < 40$ mm 314 MPa. We do not treat hybrid beams constructed with steels of two different yield stresses.

Span length is $L = 16.5$ m, hook load $P = 200$ kN, mass of the trolley $G_k = 42.25$ kN, distance of wheels $k = 1.9$ m, height of rail $h_s = 70$ mm, specific mass of the service-walkway and rail $p = 1900$ N/m, steel density $\rho = 7.85 \times 10^{-6}$ kg/mm³ or $\rho_0 = 7.85 \times 10^{-5}$ N/mm³, distance of transverse diaphragms $a = L/10 = 1650$ mm. The box beams are doubly symmetric.

2.1. BUCKLING CONSTRAINTS OF THE WEB UNDER THE RAIL

2.1.1. Bending

Stress from the vertical bending

$$\tau_x = \frac{M_b}{W_x} \quad (1)$$

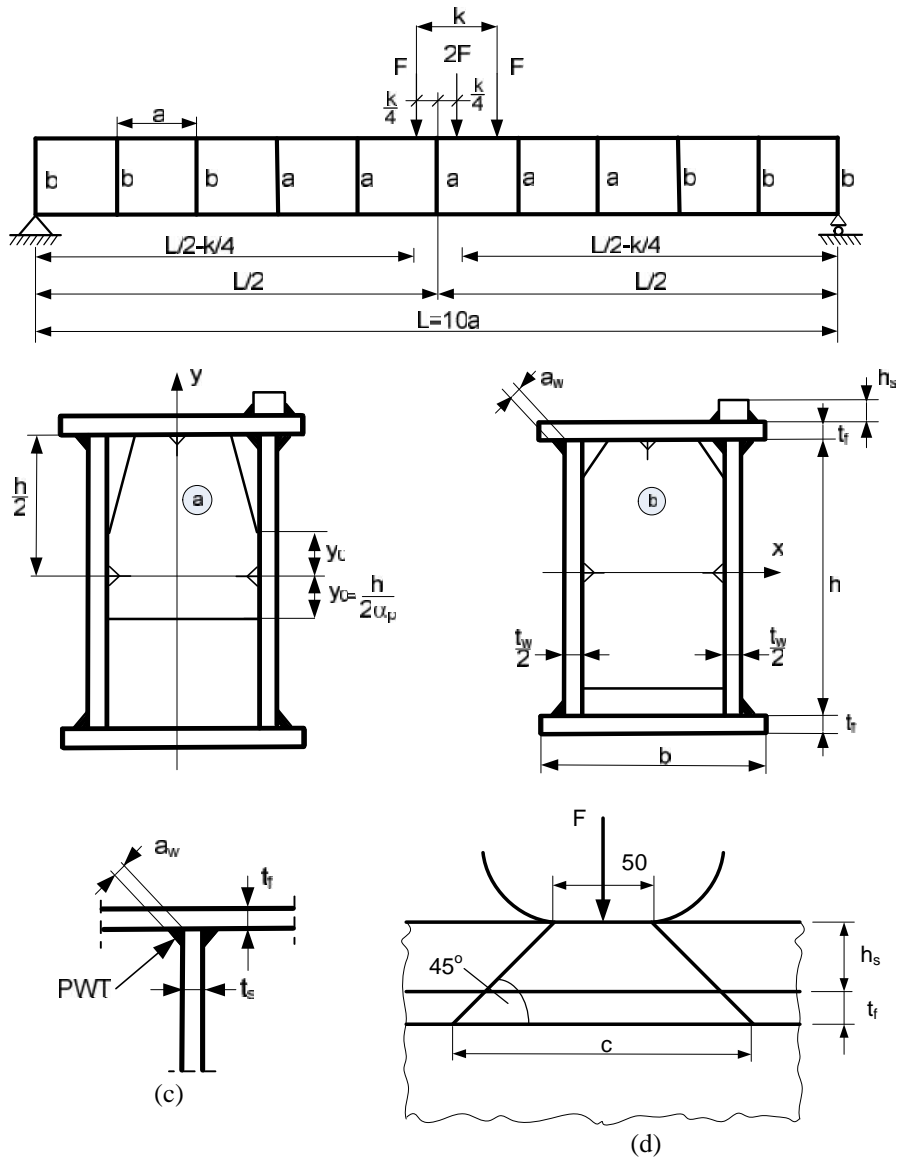


Figure 1: Data and cross-sections of the crane beams. Diaphragms (a) are used in the middle of beams for high bending stresses, PWT is used for the welds joining the diaphragms, diaphragms (b) are used near the beam ends, (c) shows the welds with PWT, (d) shows the load distribution in the beam web from the crane wheel.

Maximum bending moment in the case of the load position of two concentric forces

$$M_x = (1.05 \dots_0 A + p) \frac{L^2}{8} + \frac{F}{2L} \left(L - \frac{k}{2} \right)^2, \quad F = \frac{\mathbb{E}_d P + G_k}{4} \quad (2)$$

$$A = h t_{w0} + 2 b t_{f0} \quad (3)$$

$$W_x = \frac{h^2 t_{w0}}{6} + b h t_{f0} \quad (4)$$

t_{w0} and t_{f0} are the rounded plate thicknesses.

Bending moment from the horizontal bending

$$M_y = 0.3x0.5 \left[(1.05 \dots_0 A + p) + \frac{G_k}{8L} \left(L - \frac{k}{2} \right)^2 \right] \quad (5)$$

The multiplier 0.5 expresses that two wheels are driven from four, 0.3 is the coefficient of mass force.

$$\dagger_y = \frac{M_y}{W_y}, \quad W_y = \frac{b^2 t_{f0}}{3} + \frac{h t_{w0} b}{2} \quad (6)$$

It is not necessary to calculate with effective width, when

$$\dagger_x \leq k_x f_y, k_x = 1 \quad (7)$$

$$\} _x = \sqrt{\frac{f_y}{k_{1x} \dagger_e}} \leq 0.673, \quad k_{1x} = 7.81 - 6.29 \xi_x + 9.78 \xi_x^2, \quad \xi_x = -\frac{\dagger_x - \dagger_y}{\dagger_x + \dagger_y} \quad (8)$$

$$\dagger_e = \frac{f^2 E}{12(1 - \epsilon^2)} \left(\frac{2t_{w0}}{h} \right)^2, \quad E = 2.1 \times 10^5 \text{ MPa}, \quad \epsilon = 0.3 \quad (9)$$

The required plate thickness

$$t_{w.req} = \frac{2h}{0.673 \times 28.42 \nu \sqrt{k_{1x}}}, \quad \nu = \sqrt{\frac{235}{f_y}} \quad (10)$$

2.1.2. Shear and torsion

From shear (approximately)

$$\dagger_{ny} = \frac{V}{h t_{w0}}, \quad V = (1.05 \dots_0 A + p) + \frac{F}{2L} \left(L - \frac{k}{2} \right) \quad (11)$$

From torsion

$$\dagger_t = \frac{2M_t}{2b h t_{w0}}, \quad M_t = \frac{F}{2L} \left(L - \frac{k}{2} \right) \frac{b}{2} + \frac{p L b}{4} \quad (12)$$

The constraint on shear buckling

$$\text{if } \dagger = \dagger_v + \dagger_t \leq k_{t0} f_y / \sqrt{3}, k_{t0} = 1 \quad (13)$$

$$\} _t = \sqrt{\frac{f_y}{k_{1t} \dagger_e \sqrt{3}}} \leq 0.84, \quad k_{1t} = 5.34 + \frac{4}{r^2}, \quad r = \frac{a}{h} = \frac{L}{10h} \quad (14)$$

$$\text{i.e. } t_{w.req} = \frac{2h}{31 \nu \sqrt{k_{1t}}} \quad (15)$$

2.1.3. Compression from a wheel

According to Figure 1d

$$\dagger_{y1} = \frac{2F}{c t_{w0}}, \quad c = 50 + 2(h_s + t_{f0}) = 50 + 2 \times 100 = 250 \text{ mm} \quad (16)$$

$$\text{If } \dagger_{y1} \leq k_y f_y, k_y = 1 \quad (17)$$

$$\} _y = \sqrt{\frac{f_y}{k_{1y} \dagger_e \frac{a}{c}}} \leq 0.831 \quad (18)$$

From the diagram of EN13001-3-1 [1] $c/a = 250/1650 = 0.15$ and $a/h = 1650/620 = 2.7$ $k_{1y} = 1$

$$t_{w.req} = \frac{2h}{60.97 \nu} \quad (19)$$

The complex check

$$\left(\frac{|\dagger_x|}{f_{bx}} \right)^{e_1} + \left(\frac{|\dagger_y|}{f_{by}} \right)^{e_2} - V_0 \left(\frac{|\dagger_x \dagger_y|}{f_{bx} f_{by}} \right) + \left(\frac{\dagger}{f_{bt}} \right)^{e_3} \leq 1, \quad e_1 = 1 + k_x^4, e_2 = 1 + k_y^4, e_3 = 1 + k_x k_y k_{t0}^2 \quad (20)$$

$$V_0 = (k_x k_y)^6 \quad \text{if } \dagger_x \dagger_y \geq 0, \quad V_0 = -1 \quad \text{if } \dagger_x \dagger_y \leq 0 \quad (21)$$

In our case $k_x = k_y = k_{t0} = 1$ (22)

$$t_{red} = \sqrt{(t_x + t_y)^2 + t_{y1}^2 - (t_x + t_y)t_{y1} + 3t^2} \leq f_y \quad (23)$$

3. BUCKLING CONSTRAINTS OF THE UPPER FLANGE

3.1. Vertical and horizontal bending

Similarly to the constraint on web buckling

$$t_{f.req} = \frac{b}{0.673 \times 28.42 \sqrt{k_{ty}}}, k_{ty} = \frac{8.2}{1.05 + \xi_y}, \xi_y = \frac{t_x - t_y}{t_x + t_y} \quad (24)$$

3.2. Torsion

Similarly to the web

$$t_{f.req} = \frac{b}{31 \sqrt{k_{tb}}}, k_{tb} = 5.34 + \frac{4}{r_b^2}, r_b = \frac{a}{b} \quad (25)$$

4. FATIGUE CONSTRAINT FOR THE WELD UNDER THE RAIL

According to the EN 13001-3-1 [1] the fatigue strength of a K butt weld for the number of cycles $N = 4 \times 10^6$ is $\Delta t_c = 112$ MPa, the allowed stress for the spectrum factor $s_3 = 2$

$$U t_{Rd} = \frac{U t_c}{\chi_f \sqrt[3]{s_3}} = 71.1 \text{ MPa} \quad (26)$$

and for shear

$$U t_{Rd} = \frac{U t_c}{\chi_f \sqrt[3]{s_3}} = 50.8 \text{ MPa} \quad (27)$$

The complex constraint on fatigue is expressed as

$$y = \left(\frac{t_x + t_y}{U t_{Rd}} \right)^3 + \left(\frac{t_{y1}}{U t_{Rd}} \right)^3 + \left(\frac{t_v + t_t}{U t_{Rd}} \right)^5 \leq 1 \quad (28)$$

5. FATIGUE CONSTRAINT FOR FILLET WELDS JOINING THE TRANSVERSE DIAPHRAGMS

The fatigue strength [4]

$$U t_c = r_p 63 \text{ MPa} \quad (29)$$

r_p is the coefficient of the effect of PWT, for ultrasonic treatment 1.3, for HiFIT high frequency impact treatment 1.6.

The allowed stress

$$U t_{f.adm2} = \frac{U t_c}{\chi_f \sqrt[3]{2}} \quad (30)$$

The constraint is given by

$$t_x \leq U t_{f.adm2} \quad (31)$$

6. THE COST FUNCTION

The cost function is formulated according to the fabrication sequence (Farkas & Jármai books [5,6,7,8]).

(1) Welding of the upper flange, webs and transverse diaphragms, PWT of the welds joining the diaphragms. Two forms of diaphragms are used: the 5 diaphragms near the span centre are cut according to the Figure 1a, the other 6 diaphragms are constructed according to Figure 1b.

The structural volume for this fabrication phase is

$$V_1 = L(ht_{w0} + bt_{f0}) + 6bht_s + 2.5bht_s \left(1 + \frac{1}{r_p}\right), t_s = 6 \text{ mm}, r_p = 1.6 \quad (32)$$

The number of the assembled structural elements is $n_1 = 14$, the factor of the complexity of assembly is $n_1 = 3$. The welding cost consists of four parts: GMAW-C welding of Butt K welds under the rail (K_{w11}), GMAW-C welding of the fillet welds joining the other web, welding of the diaphragms (K_{w12}) and PWT of the welds of 5 diaphragms (K_t).

$$K_{w11} = k_w (b_1 \sqrt{|V_1|} + 1.3 \times 0.3394 \times 10^{-3} a_w^2 L + K_{w11}), k_w = 1.0 \text{ \$/min} \quad (33)$$

$$K_{w11} = k_w 1.3 \times 0.1520 \times 10^{-3} a_w^{1.94} L, a_w = t_{w0} / 2 \quad (34)$$

$$K_{w12} = k_w 1.3 \times 0.7889 \times 10^{-3} a_w^2 L_w, a_w = t_{w0} / 4, L_w = 2 \left[6(b + 2h) + 5 \left(b + \frac{h}{r_p} \right) \right] \quad (35)$$

$$K_t = k_w L_t T_0, L_t = 10b, T_0 = 0.0033 \text{ min/mm} \quad (36)$$

(2) Welding of the lower flange with two GMAW-C fillet welds

$$K_{w2} = k_w (b_2 \sqrt{|V_2|} + 1.3 \times 0.3394 \times 10^{-3} a_w^2 2L), \quad (37)$$

$$a_w = 2, V_2 = V_1 + bt_{f0} L, n_2 = 2$$

Welding of the two webs from 11x1500 mm parts with GMAW-C butt K-welds

$$K_{w3} = k_w \left(b_3 \sqrt{|V_3|} + 1.3 \times 0.152 \times 10^{-3} \times 10h \left(\frac{t_{w0}}{2} \right)^{1.94} \right), V_3 = Lht_{w0} / 2 \quad (38)$$

Welding of the two flanges from 11x1500 mm parts with GMAW-C butt K-welds

$$K_{w4} = k_w (b_4 \sqrt{|V_4|} + 1.3 \times 0.152 \times 10^{-3} \times 10bt_{f0}^{1.94}), V_4 = Lbt_{f0} \quad (39)$$

Material cost

$$K_m = k_m V_2, k_m = 1.0 \text{ \$/kg} \quad (40)$$

Total cost

$$K = K_m + K_{w1} + K_{w11} + K_{w12} + K_t + K_{w2} + 2K_{w3} + 2K_{w4} \quad (41)$$

7. RESULTS OF OPTIMIZATION

The results are given in Table 1.

Table 1: Dimensions and deflection in mm, stresses in MPa, volume in mm³, costs in \$. Minima are marked by bold letters.

h	710	660	620	600
b	340	380	420	440
t_{w0}	30	28	26	26
t_{f0}	40	40	40	40
x	61.95	62.6	62.7	62.8
Equation (19)	26.9	25.0	23.5	22.7
Equation (10)	20.0	18.4	17.2	16.6
w_{max}	9.3	10.0	10.5	10.7
Equation (28)	0.978	0.995	0.992	0.983
$V_2 \times 10^{-8}$	8.153	8.222	8.367	8.547
K_t	11.2	12.5	13.9	14.5
K	14230	13890	13690	13930

8. CONCLUSIONS

The optimization has been performed by using a MathCAD program. Since the welding cost depends on the web thickness, the cost can be decreased by decrease of web thickness or web height. This decrease is stopped by the

increase of cost caused by the increase of flange width. The web thickness is determined by the constraint on the maximal stress from the wheel load. In the systematic search we select a b and for this value h is searched, which fulfils the constraints. The web thickness is determined by the quality of the weld under the rail. Therefore, it is necessary to use high quality butt K weld. The governing constraints are the constraint on the compressive stress under rail and those on the fatigue. σ_x should be smaller than 1 and $\Delta\sigma_{f.adm2} = 64.0$. The constraint of Equation 15 is passive.

ACKNOWLEDGEMENTS

The research was supported by the TÁMOP 4.2.4.A/2-11-1-2012-0001 priority project entitled 'National Excellence Program - Development and operation of domestic personnel support system for students and researchers, implemented within the framework of a convergence program, supported by the European Union, co-financed by the European Social Fund. The research was supported also by the Hungarian Scientific Research Fund OTKA T 109860 projects and was partially carried out in the framework of the Center of Excellence of Innovative Engineering Design and Technologies at the University of Miskolc.

REFERENCES

- [1] EN 13001-3-1: 2010. Cranes – General design – Part 3-1: Limit states and proof competence of steel structure.
- [2] Jármai,K. Pahlke,H. & Farkas,J. 2014. Cost savings using different post welding treatments on an I-beam subject to fatigue load. *Welding in the World* 58: 691-698.
- [3] BS 2573-1: 1983.Rules for the design of cranes. Part 1. Specification for classification, stress calculations and design criteria for structures.
- [4] Eurocode 3 -1-9: 2005. Design of steel structures. Fatigue strength of steel structures.
- [5] Farkas,J. & Jármai,K. 2003. *Economic design of metal structures*. Rotterdam: Millpress.
- [6] Farkas,J. & Jármai,K. 2008. *Design and optimization of metal structures*. Chichester, UK, Horwood Publishing.
- [7] Farkas,J.& Jármai,K. 2013. *Optimum design of steel structures*. Heidelberg etc. Springer.
- [8] Farkas,J. & Jármai,K. 2015. *Fémszerkezetek innovatív tervezése*. Miskolc, Gazdász-Elasztik Kiadó és Nyomda. (Innovative design of metal structures). (In Hungarian), 624 p.